



Product Features

- Aluminum housing duly powder coated.
- Long life and better thermal management.
- High efficacy LED.
- Uniform and optimum light output and energy savings.
- Higher PF, Lower THD and Surge Protection.

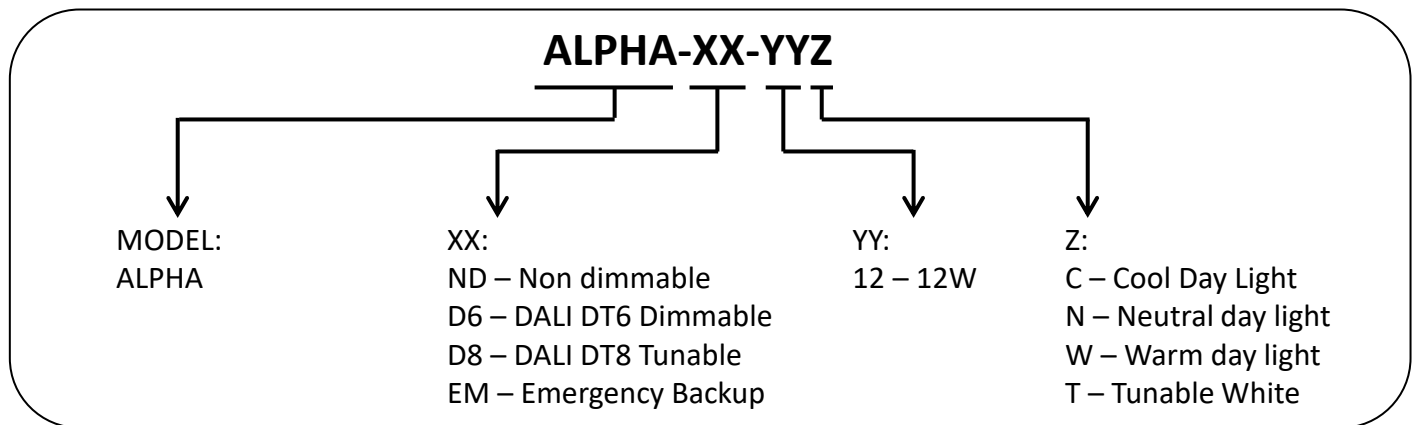


Electrical Specification	Rated Voltage (V)	220-240Vac
	Operating Voltage Range (V)	90-305Vac
	Operating Frequency (Hz)	50 +/-3%
	Power Factor	> 0.95
	A-THD	< 10
	System Power Consumption (W)± 10%	12/15W
	Inbuilt Surge Protection (kV)	4KV
	Electrical Insulation Class	Suitable for Class II
Optical Specification	Light Source	LED
	Typ. Fixture Efficacy (LM/W)	100
	Color Temperature (K)	CDL / NDL / WDL / Tunable White
	CRI	80
	Diffuser / Optical material	Optical grade
	Beam Angle options	24°/30°/40°/60°
Other Specification	Operating Ambient Temperature (°C)	0°C to + 45°C
	Housing	Powder coated Aluminum Hosing
	Mounting Arrangement	Recessed mount
	IP rating	IP20
Emergency Mode	Emergency Mode Wattage	1W to 20W (with step of 1W)
	In built Diagnostic feature	Yes
	Battery Backup	Min 90 min. at 20W backup power
	Indication cum test switch	Yes (accessible from outside)

All features, functionality and other product specifications are subject to change without notice or obligation.

LED Indicator / Test switch Status	EM Driver Status/Mode
Solid Green	System OK/AC OK (Self-diagnostic Enabled or Disabled).
Flashing Green, 0.1s on/3s off	System OK / EM Mode
Slow Flashing Red, 4s on/1s off	Battery not detected, check battery connection.
Flashing Red, 1s on/1s off	Replace battery.
Flashing Green, 2s on/2s off	Self-Diagnostic test underway.
Fast Flashing Red, 0.1s on/0.1s off	Abnormal driver performance, replace emergency driver.
Very slow flashing Red 1s on/7s off	Over temperature.
Very slow flashing Red 4s on/4s off	LED output load is Short/Over Current/Over Voltage/Open Circuit in EM Mode.

Model No.



All features, functionality and other product specifications are subject to change without notice or obligation.